



# Wind sensor



The wind sensor WIS01 is suitable for **wind** speed detection in conjunction with the UVR control units. With this sensor windows can be closed or awnings be rolled up, for instance, at too high wind speeds.

The wind sensor has the following features:

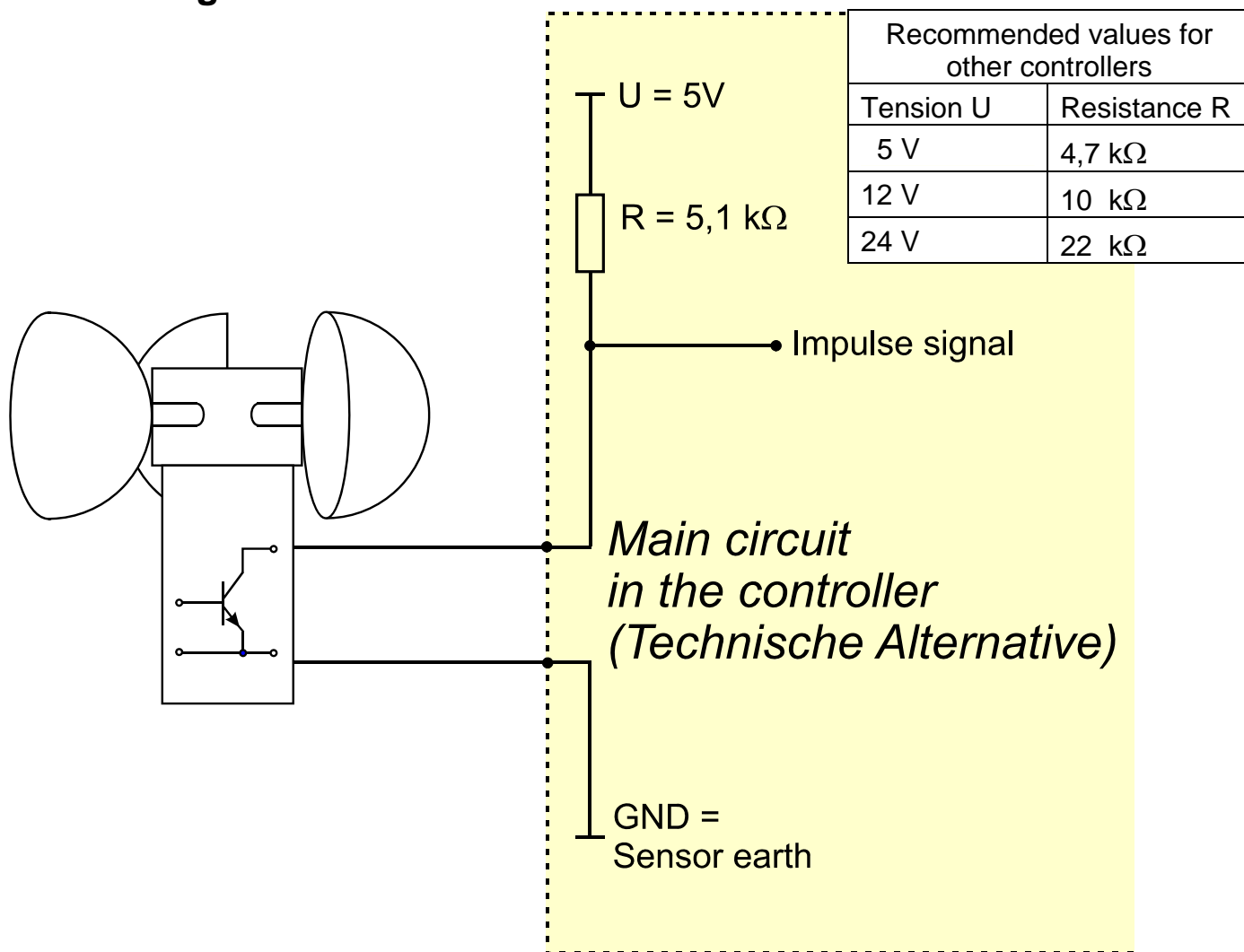
- Measurement of wind speeds of up to 140 km/h with a maximum deviation of 5%
- Signal: Pulse output with 1 Hz per 20 km/h (0.05 Hz per 1 km/h)
- Observe polarity when connecting: **Blue = earth, brown = sensor input**
- Caution: without integrated heating element, thus suitable to a limited extent for measurements in the winter only
- Cable length: 2 m

Dimensions:

Diameter: 140 mm, height: 50.5 mm

Diameter of the mounting tube of 30 mm

## Circuit diagram:



## Waveform:

