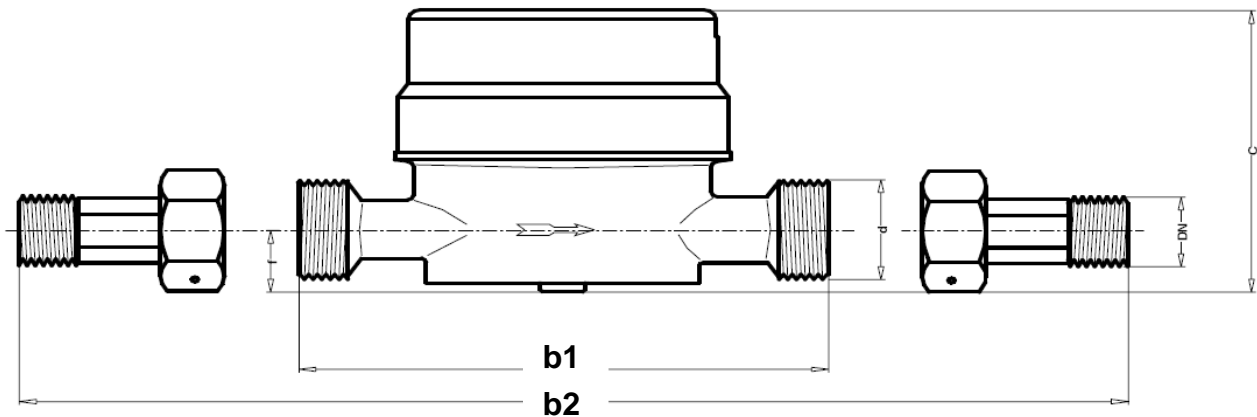




Flowmeter VIG 0,3-40 / VIG 0,5-65

Image: VIG 0,3-40



Dimensions:

	DN		Continuous flow rate Q3	d mm thread	b1 mm meter length	b2 mm	c mm	f mm	kg weight
	mm	Inch							
VIG 0,3-40	15	R 1/2"	2.5 m ³ /h	G 3/4"	110	188	78	17	0.505
VIG0,5-65	20	R 3/4"	4.0 m ³ /h	G 1"	130	228	78	21	0.530

Monitoring data

	DN mm	Continuous flow rate Q3 m ³ /h	Highest flow rate Qmax m ³ /h	B class	
				Qt l/h	Qmin l/h
VIG 0,3-40	15	2,5	3.0	120	30
VIG0,5-65	20	4.0	5.0	200	50

The flowmeters of the VIG series are generally used in conjunction with controllers of the UVR or ESR series.

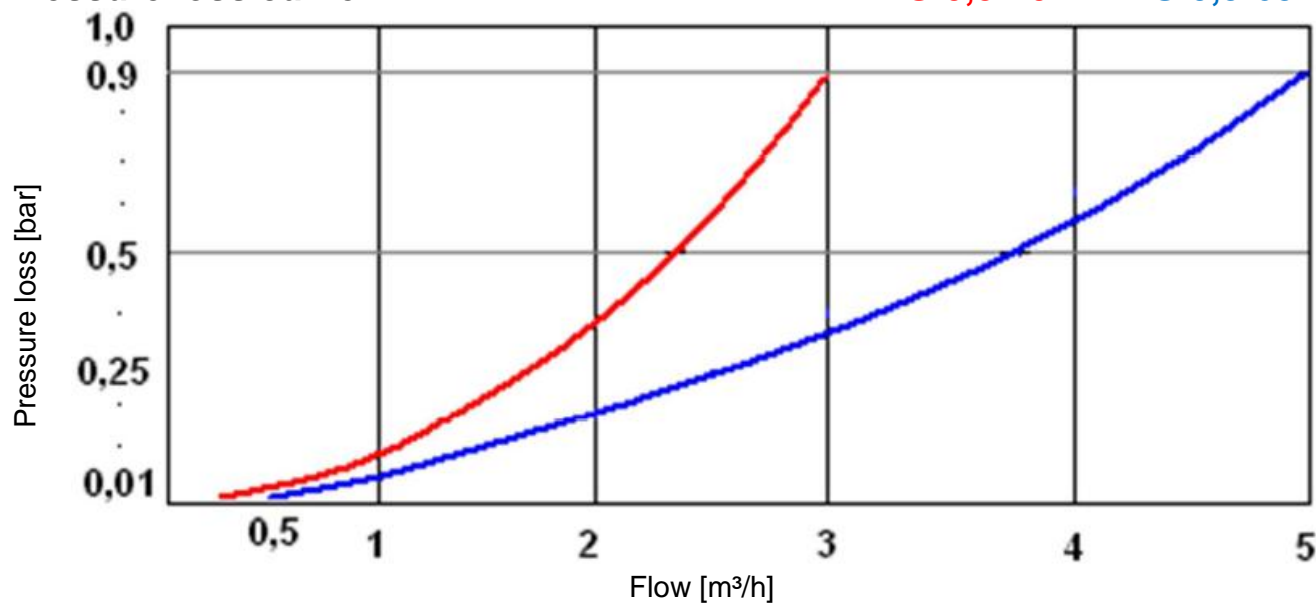
Installation: A straight pipe length of at least 20 cm upstream and downstream the sensor (in horizontal as well as in vertical mounting position) must be used as a smoothing section.

Connection: If the VIG has a 3-pin cable, then the brown and white conductors are to be connected to the controller; the green conductor remains unused. The polarity of the connections ("earth") is interchangeable, hence need not be observed.

Pressure loss curve

VIG 0,3-40

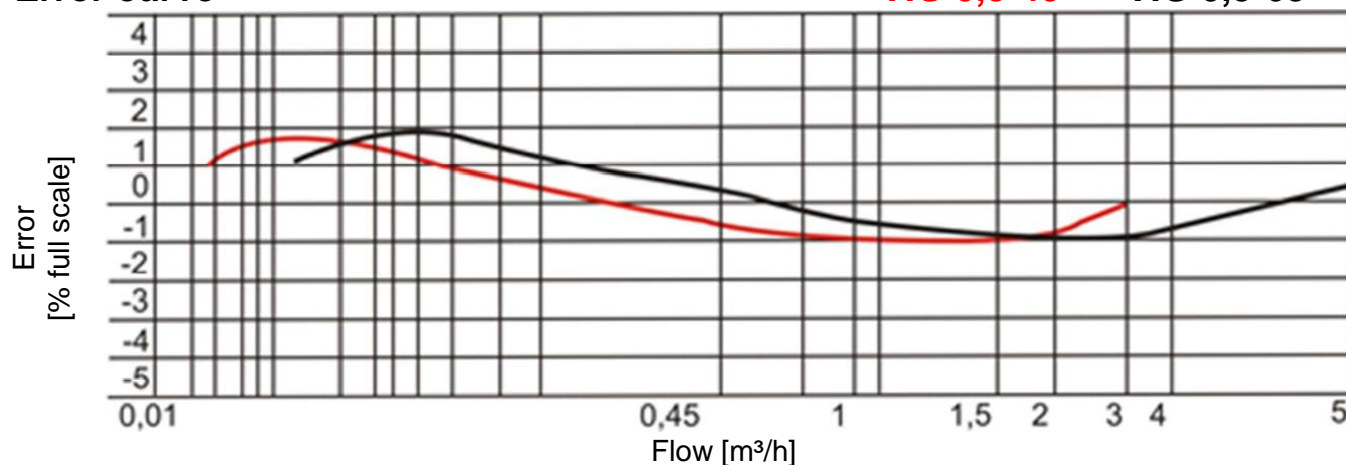
VIG 0,5-65



Error curve

VIG 0,3-40

VIG 0,5-65



Technical Datas:

- Start value horizontal VIG 0,3-40: 12 l/h, VIG 0,5-65: 20 l/h
- Start value vertical VIG 0,3-40: 20 l/h, VIG 0,5-65: 30 l/h
- High resolution impulse output (one impulse per each 0.5l)
- Temperature range: max. 90°C
- Breaking capacity: max. 10mA, max. 28V DC
- Protection: IP54