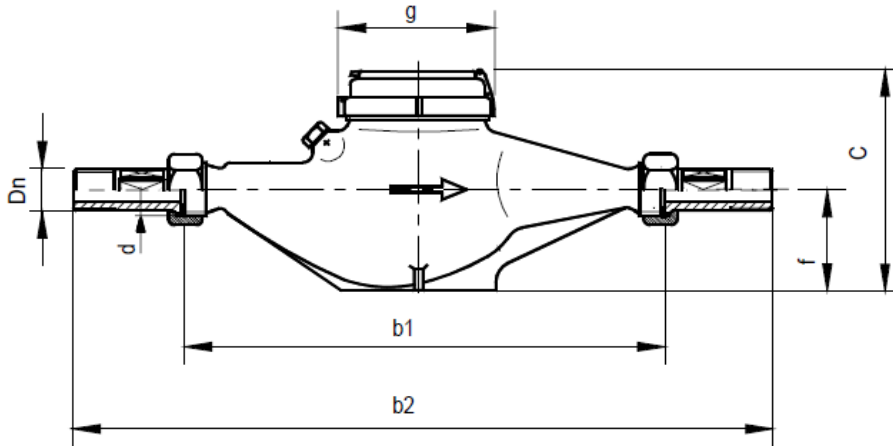




Flow meter



Dimensions and weight:

DN		Continuous flow rate Q3	d mm	b1 mm	b2 mm	c mm	g mm	f mm	Weight kg
mm	Zoll								
32	R 1 1/4"	10 m ³ /h	G 1 1/2"	260	378	130	100	40	3.6

Monitoring data

DN mm	Continuous flow rate Q3 m ³ /h	Highest flow rate Qmax m ³ /h	Qt l/h	Qmin l/h	Reading	
					min.	max.
32	10	12	480	120	0.0001 m ³	99999 m ³

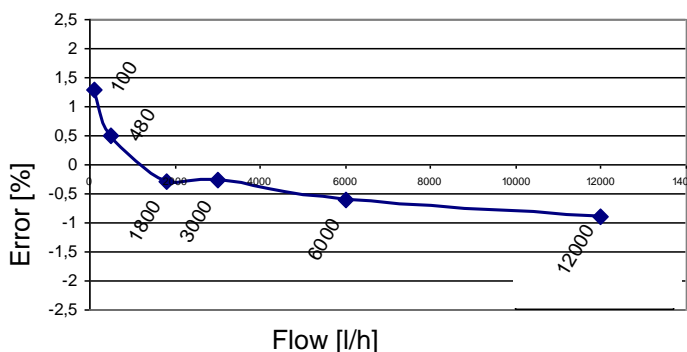
Installation: A straight pipe length of at least 20 cm upstream and downstream the sensor (mounting position: horizontal) must be used as a smoothing section.

Impulse output: 1 l/impulse

Temperature range: max. 90 °C

Pn 10, Δp 100 kPa

Error curve



Pressure loss curve

