



Technische Alternative RT GmbH

A-3872 Amaliendorf, Langestr. 124
Tel +43 (0)2862 53635 mail@ta.co.at

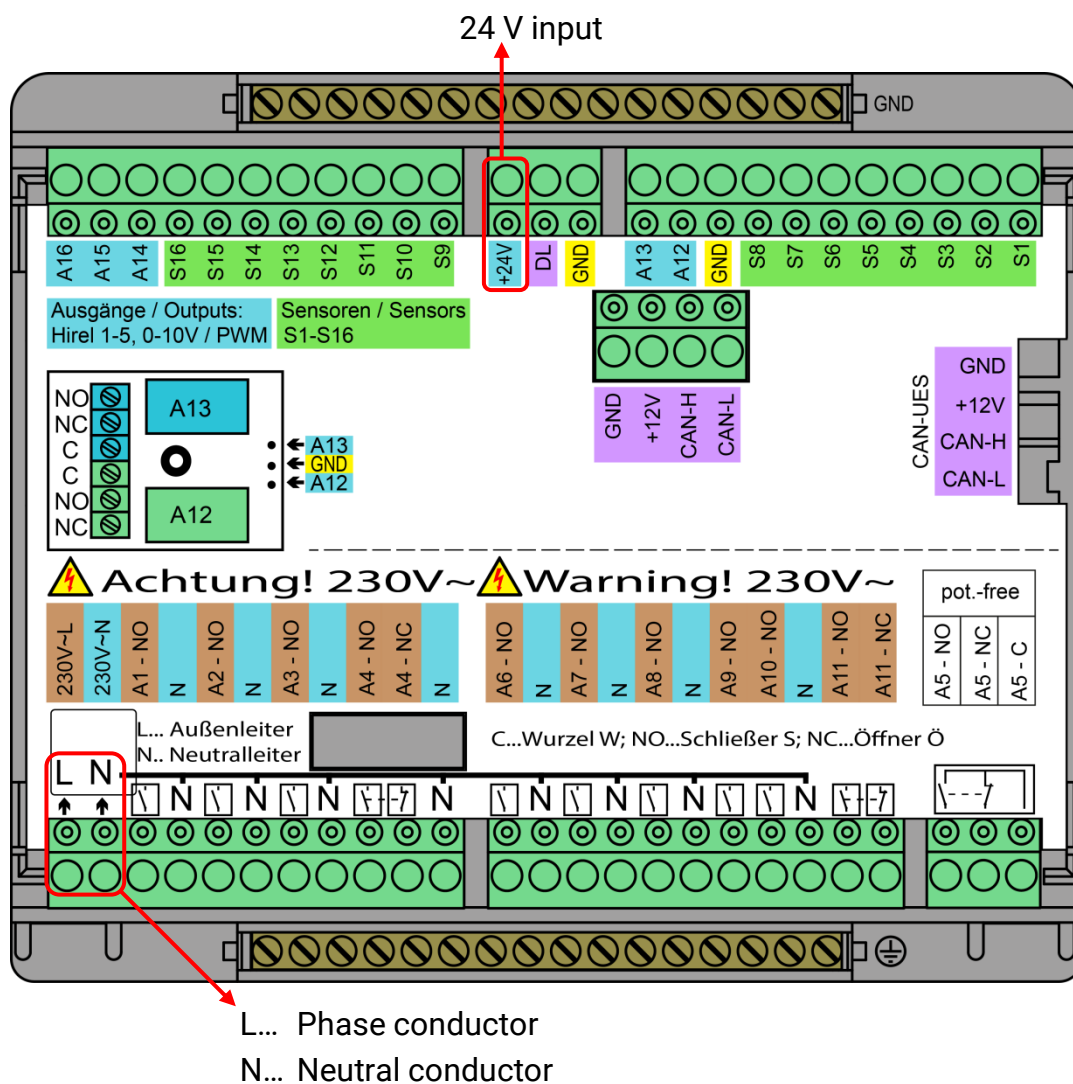
UVR16x2-DC

The UVR16x2-DC can be supplied with 24 V DC power via the 24 V input. The mains connections can therefore be connected to any voltage between 0 and 230 V AC/DC (via the phase and neutral conductors). If a voltage above 100 V AC is present, the controller will take its supply from that voltage.

This modification must be considered correspondingly for all other connection work.

$V_{in} = 18-24 \text{ V DC (stabilised)}$

$V_{pp} < 1 \text{ V (residual ripple)}$



This application invalidates various technical specifications stated in the enclosed operating and installation instructions (such as those relating to the power supply, breaking capacity and supply cable).

