



## LED dimmer

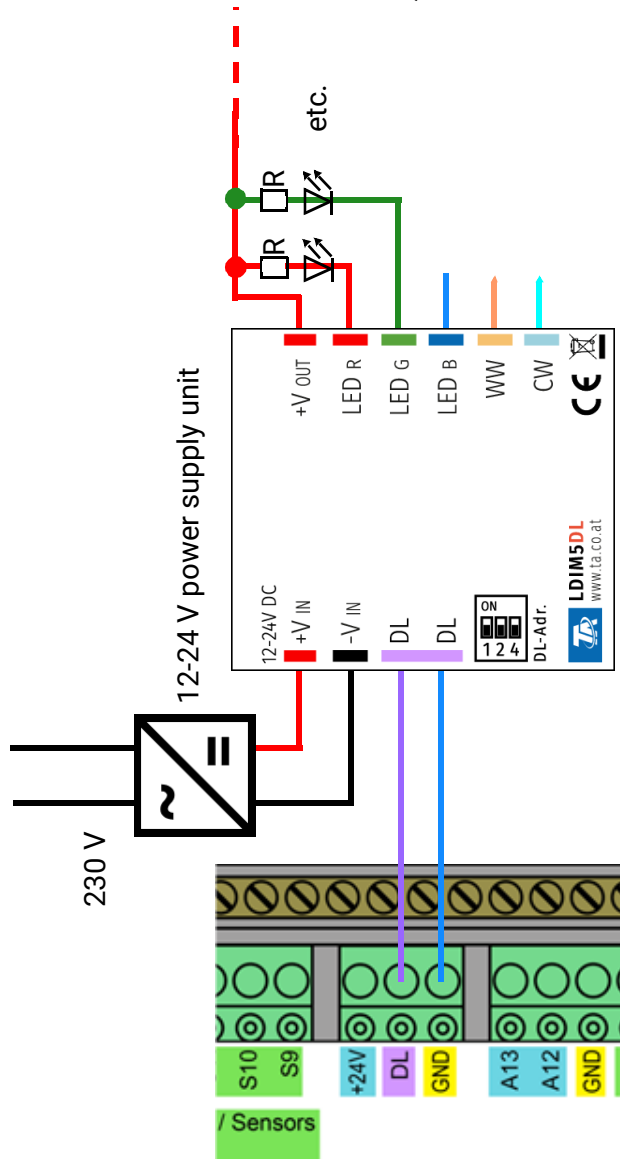
The **LDIM5-DL** LED dimmer is used to control the brightness and color of an LED strip (12-24 V, common anode).

The LDIM5-DL has **5 channels** which emit a PWM signal (0-100 %) of **150 Hz**.

Due to the inertia of the DL bus, this device is more suitable for slow lighting/color effects than normal lighting control.

## Electrical connection

**Example:** Connection with a UVR16x2 controller, color control of an LED strip



In the application pictured above, the 5 color channels of an individual LED strip are controlled. The 5 channels can of course be freely assigned.

Each channel has its own short circuit detection. If a short circuit is detected, the relevant channel is deactivated and then checked every 10 seconds to determine whether there is still a short circuit. Once a short circuit has been detected and eliminated, the channel is automatically reactivated.

# Index

The five outputs of the LED dimmer correspond to the 5 channels.

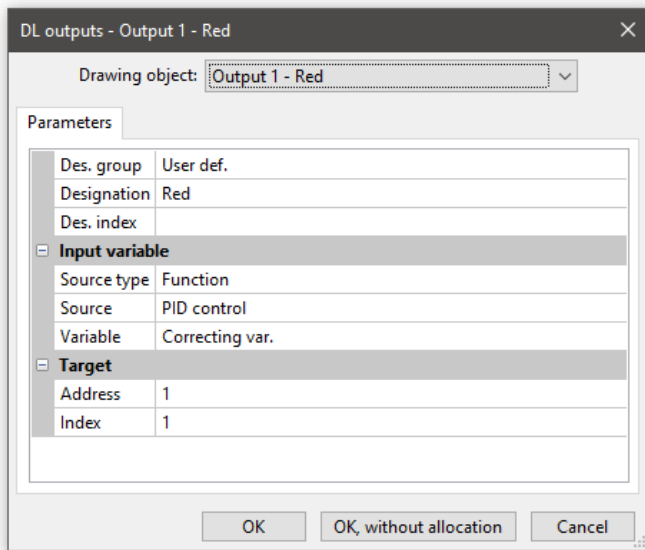
Index	Channel
1	1 – LED <b>R</b>
2	2 – LED <b>G</b>
3	3 – LED <b>B</b>
4	4 – <b>WW</b>
5	5 – <b>CW</b>

# Programming



Values for the individual channels are specified to the LED dimmer via the DL bus. For this purpose, a **DL bus output** is programmed to transmit an analogue value.

**Example:** The first channel of an LDIM5-DL with the address **1** is activated with index **1**. In this case, a PID control function specifies a PWM value.



# DL address

The LDIM5-DL has a default address of 1. This address can be changed using the DIP switches in the device. The final address is made up of the default 1 and the sum of the DIP switches that are set to "ON".

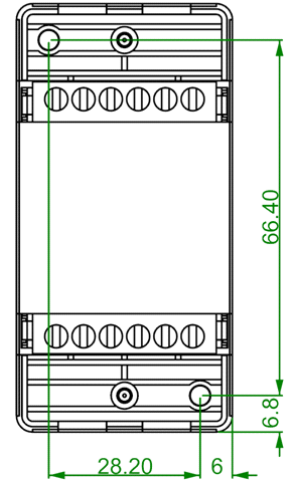
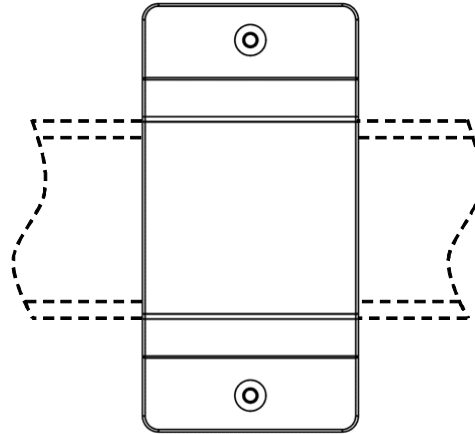
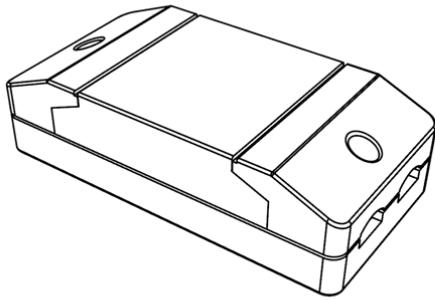
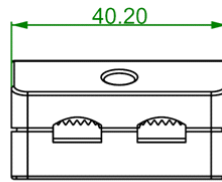
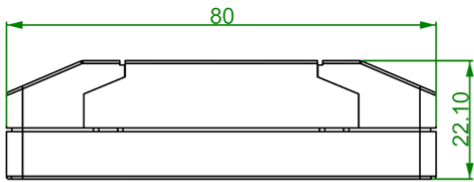
**Example:**

desired address	<b>6</b>
factory setting	1
dip switches 1 and 4	+ 5
sum = address	<b>= 6</b>
dip switches 1 and 4 mus be set to <b>ON</b> .	



Correct position of dip switches according to example.

## Dimensions in mm



Top-hat rail installation  
(support rail TS35 to  
standard EN 50022)

Technical data	
DL bus load	10 %
IP rating	IP 40
Terminal capacity	Max. 1.5 mm <sup>2</sup>
Max. ambient temperature	45 °C
Power supply	12-24 V
Power output	Max. 3.5 A per channel Total max. 12 A
PWM signal cycle	150 Hz

Subject to technical modifications as well as typographical and printing errors. This manual is only valid for devices with the corresponding firmware version. Our products are subject to constant technical advancement and further development. We therefore reserve the right to make changes without prior notice.

© 2021