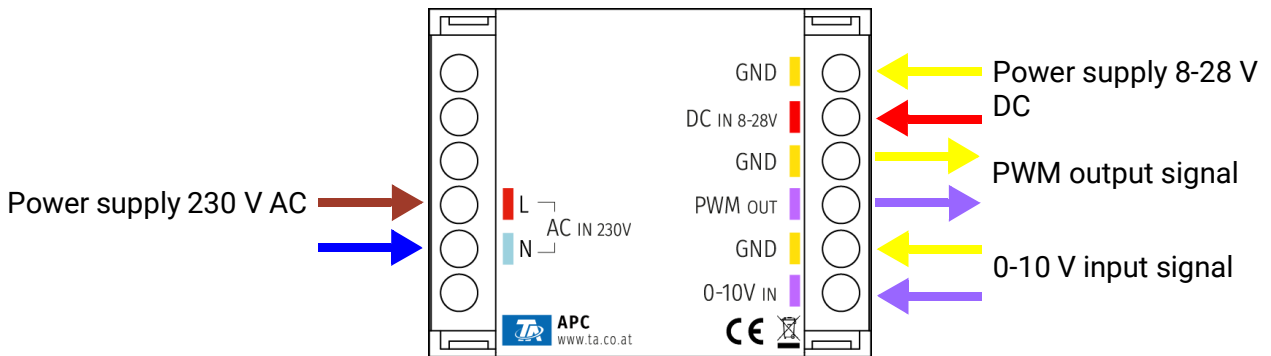


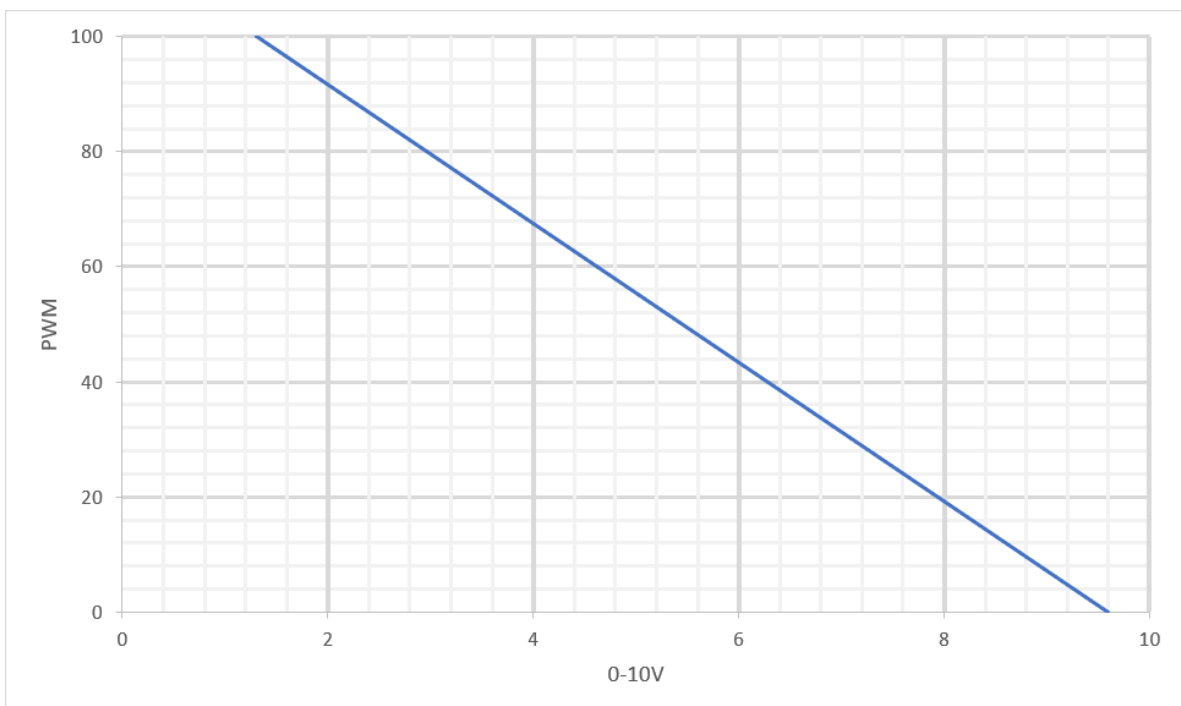
Analogue PWM converter



The APC converts **0-10 V** control signals into **PWM** signals (PWM1 = 100-0 %).
The power supply can be either 230 V AC **or** 8-28 V DC.

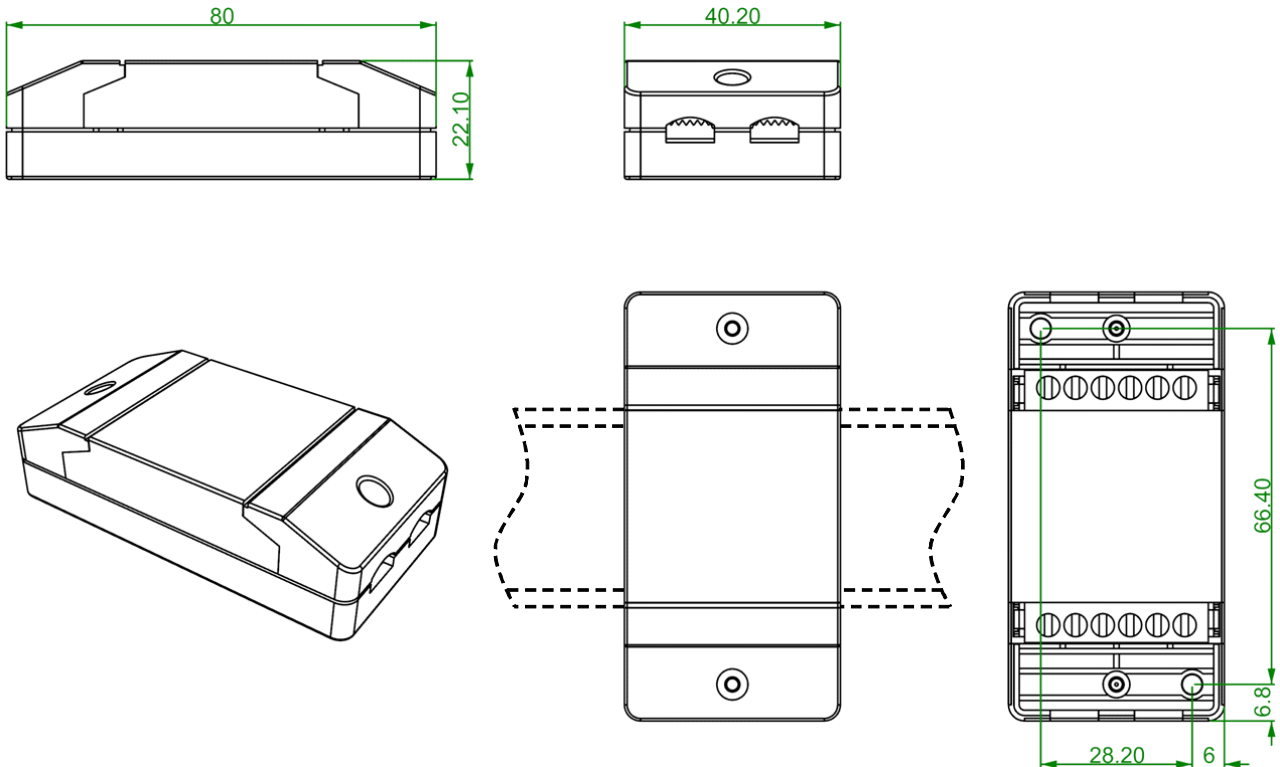


Transfer curve



100-0 % PWM corresponds to 1.3 - 9.6 V

Dimensions in mm



Top-hat rail installation
(support rail TS35 to
standard EN 50022)

Technical data	
IP rating	IP20
Clamping area	Max. 1.5 mm ²
Power consumption, 230 V input	0.15 W / 0.3 VA
Power consumption, 8-28 V input Without PWM load	8 V: 2 mA 28 V: 4 mA
Frequency of PWM signal	800 Hz

Subject to technical modifications as well as typographical and printing errors. This manual is only valid for devices with the corresponding firmware version. Our products are subject to constant technical advancement and further development. We therefore reserve the right to make changes without prior notice.

© 2022

EU Declaration of Conformity

Document number/date: TA21025
Manufacturer: Technische Alternative RT GmbH
Address: A-3872 Amaliendorf, Langestrasse 124, Austria

The sole responsibility for the issuance of this Declaration of Conformity rests with the manufacturer.

Product designation: APC
Brand names: Technische Alternative RT GmbH
Product description: Analogue PWM converter

The item described above complies with the following directives:

2014/35/EU	Low Voltage Directive
2014/30/EU	Electromagnetic Compatibility
2011/65/EU	RoHS Directive on restricting the use of certain hazardous substances
2009/125/EU	Ecodesign Directive

The following harmonised standards have been applied:

EN 60730-1: 2011	Automatic electrical controls for household and similar use – Part 1: General requirements
EN 61000-6-3: 2007 +A1: 2011 + AC2012	Electromagnetic compatibility (EMC) – Part 6-3: Generic standards – Emission standard for residential, commercial and light-industrial environments
EN 61000-6-2: 2005 + AC2005	Electromagnetic compatibility (EMC) – Part 6-2: Generic standards – Immunity for industrial environments
EN 50581: 2012	Technical documentation for the assessment of electrical and electronic products with respect to the restriction of hazardous substances

Attachment of CE label: On packaging, operating instructions and type plate



Issued by: Technische Alternative RT GmbH
A-3872 Amaliendorf, Langestrasse 124, Austria

Legally binding signature

Dipl.-Ing. Andreas Schneider, Managing Director,

This declaration certifies conformity with the listed directives, but does not guarantee any properties. The safety instructions in the product documents supplied must be observed.

Guarantee conditions

Note: The following guarantee conditions do not limit statutory rights to a warranty, but rather expand your consumer rights.

1. Technische Alternative RT GmbH provides the end user with a one-year guarantee from the date of purchase for all devices and parts it sells. Defects must be reported immediately upon detection and within the guarantee period. Technical support can supply the correct solution for almost every problem. In this respect, contacting us immediately will help to avoid unnecessary expense and effort in troubleshooting.
2. The guarantee includes free repair (but not the cost of on-site fault finding, removal, refitting and shipping) due to operational and material defects which impair the function. Goods will be replaced if a repair is uneconomical for reasons of cost in the opinion of Technische Alternative.
3. Excluded are losses resulting from the effects of a voltage surge or abnormal ambient conditions. Likewise, no guarantee liability can be accepted if the device defect is due to: transport damage for which we are not responsible, incorrect assembly and installation, incorrect use, failure to observe the operating and installation instructions or incorrect maintenance.
4. The guarantee will become void if repairs or actions are carried out by people who are not authorised to perform them or have not been so authorised by us, or if our devices are operated with spare parts, auxiliary parts or accessories that are not considered to be original parts.
5. Faulty parts must be returned to our factory with a copy of the proof of purchase and a precise fault description. Processing is accelerated if an RMA number is requested via our homepage www.ta.co.at. Prior clarification of the defect with our technical support is necessary.
6. Services provided under guarantee result neither in an extension of the guarantee period nor in the commencement of a new guarantee period. The guarantee period for fitted parts ends with the guarantee period of the whole device.
7. Further or other claims, especially those for compensation for losses other than to the device itself (insofar as such liability is not required by statute) are excluded.

Legal notice

These installation and operating instructions are protected by copyright.

Any usage outside the copyright requires the consent of Technische Alternative RT GmbH. This applies in particular to reproduction, translation and storage on electronic media.

Technische Alternative RT GmbH

A-3872 Amaliendorf, Langestrasse 124, Austria

Tel.: +43 (0)2862 53635

Fax +43 (0)2862 53635 7

Email: mail@ta.co.at

--- www.ta.co.at ---



©2022