



Rain sensor



The rain sensor RES01 was invented for regulating tasks controlled by atmospheric conditions (e.g. opening and closing of windows in a conservatory). The integrated measuring amplifier converts the sensor signal to a temperature value. The dry-bulb temperature is about 90°C and may slightly sink due to pollution. The humidity threshold should be defined approx. 20°C below the indicated dry-bulb temperature.

- The output signal essentially corresponds to that of a **KTY** temperature sensor.

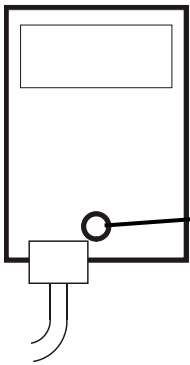
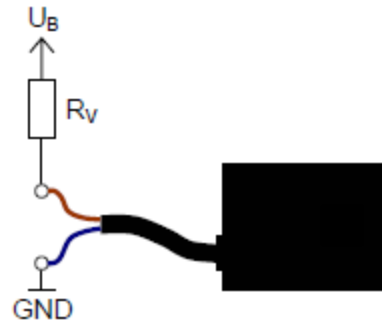
Exceptions:

- For controllers UVR61-3 from version 5.0 and UVR63H from version 5.0, the signal must be evaluated as a radiation sensor **GBS** (with the incorrect physical unit W, e.g. 900W corresponds to a 90.0°C temperature value).
- For CAN I/O modules 35/44 from version 2.00, to achieve a correct evaluation of the signal the sensor type must be set as "RES" (Signal type: dimensionless number without a decimal point, e.g. 900 corresponds to a 90.0°C temperature value).
- The "Rain" measured variable is set for controllers with X2 technology (dimensionless). The dry value is >700. As the dry value can be lessened by dirt on the sensor, the rain threshold should be set to approx. 300.
- Observe polarity when connecting:
brown = sensor input, blue = sensor mass
- Cable length: 2m

Additional information for the connection of the RES01 to third party controls:

For use of the sensor connected to other controls the following values are to be selected for R_v (according to E12 standard resistor values):

Operating voltage U_B	Pre-resistance R_v
3,3V	1k8 – 2k2
5V	4k7 – 5k1
10V	8k2
12V	10k
24V	22k



Mounting:

Drilling of the 5mm hole on the rear side of the sensor

Dimensions: Width: 61 mm, height: 43.5 mm, depth: 15 mm

Subject to technical modifications

© 2017