

## Current sensor for external current transformer

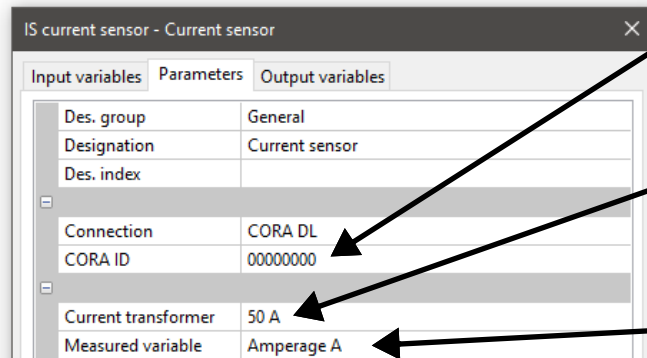


This measuring amplifier measures the effective current (RMS) of any consumer up to 50A, using the included external current transformer. The measured current is converted for the DL bus.

If the ISE-DL is used as a CORA device (see included supplementary manual about CORA-DL), current transformers with up to 100A or 400A can be used (available separately).

### Usage with CORA-DL

If the ISE-DL is programmed as a CORA device, a separately available 100A or 400A current transformer can be used instead of the included 50A transformer.



The CORA ID must be entered. It can be found on a sticker on the backside of the device.

The used current transformer must be designated here (50A, 100A or 400A).

The controller automatically distinguishes between A and mA.

### Usage with DL bus

If the ISE-DL is used with the conventional DL bus, only the included 50A current transformer can be used.

The sensor is supplied with power from the DL bus (data link) and returns the relevant measurement to the controller upon request. Suitable for **x2 devices**.

The poles of the DL bus connection is reversible.

### DL address

The device has a factory-set address of 1. Using the dip switches on the PCB, the address can be changed. The effective address is derived from address 1 (= factory setting) plus the sum of all the values of the DIP switches set to ON.

## Example

Required address	6
factory setting	1
Dip switches 1 and 4	+ 5
Sum = address	= 6
DIP switches 1 and 4 must be set to ON.	



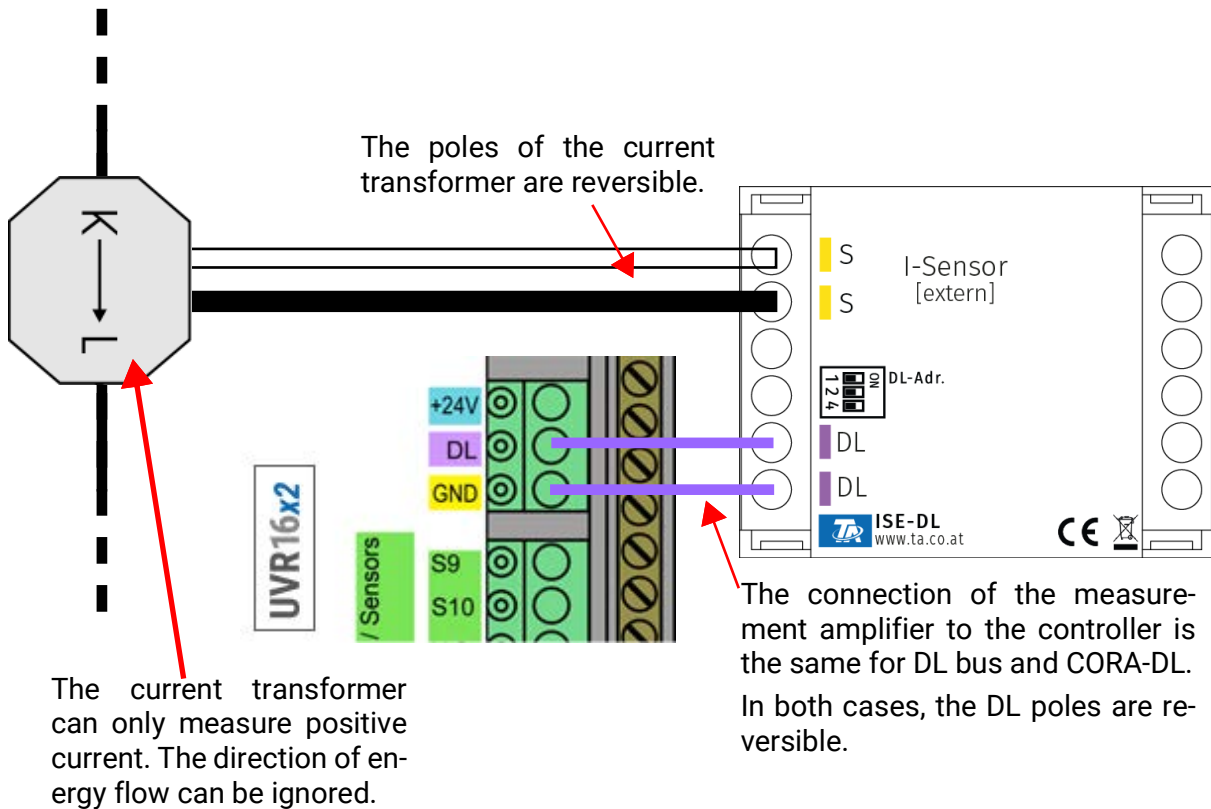
Setting of Dip switches according to example.

## Index

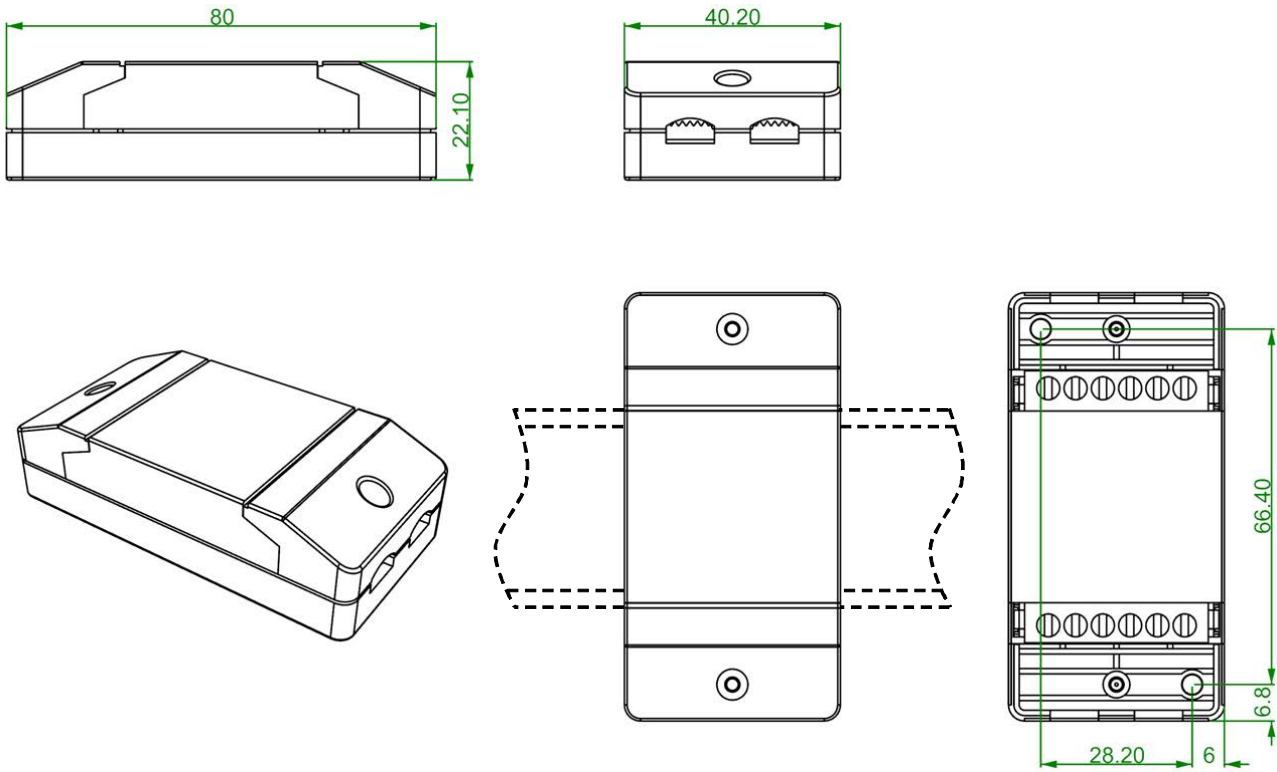
The measured values are programmed as DL input. The index of the measurement is fixed:

Index	Measurement	Measuring range
1-2	unused	
3	Current [0,1 mA]	10 mA – 3200 mA
4	Current [0,1 A]	0,1 A – 50,0 A

## Connection



## Measurements in mm



Top-hat rail installation  
(support rail TS35 to  
standard EN 50022)

## Technical data

Accuracy	$\pm 20 \text{ mA}$	
Resolution	0,1 A (or 0,1 mA for DL bus index 3)	
DL bus load	20%	
Measuring range DL bus	Index 3	10 mA – 3200 mA
	Index 4	0,1 A – 50,0 A

Subject to technical modifications as well as typographical and printing errors. This manual is only valid for devices with the corresponding firmware version. Our products are subject to constant technical advancement and further development. We therefore reserve the right to make changes without prior notice.

© 2023

# EU Declaration of conformity

Document-No. / Date: TA23001, 28.03.2023  
Company / Manufacturer: Technische Alternative RT GmbH  
Address: A-3872 Amaliendorf, Langestraße 124

***This declaration of conformity is issued under the sole responsibility of the manufacturer.***

Product name: ISE-DL  
Product brand: Technische Alternative RT GmbH  
Product description: Current sensor for external current transformer

***The object of the declaration described above is in conformity with Directives:***

2014/35/EU Low voltage standard  
2014/30/EU (11/09/2018) Electromagnetic compatibility  
2011/65/EU (01/10/2022) RoHS Restriction of the use of certain hazardous substances

***Employed standards:***

EN 60730-1:2021-06	Automatic electrical controls for household and similar use – Part 1: General requirements
EN IEC 61000-6-3:2022-06	Electromagnetic compatibility (EMC) - Part 6-3: Generic standards - Emission standard for residential, commercial and light-industrial environments
EN IEC 61000-6-2:2019-11	Electromagnetic compatibility (EMC) - Part 6-2: Generic standards - Immunity for industrial environments
EN IEC 63000:2019-05	Technical documentation for the assessment of electrical and electronic products with respect to the restriction of hazardous substances

***Position of CE - label:*** On packaging, manual and type label



Issuer: Technische Alternative RT GmbH  
A-3872 Amaliendorf, Langestraße 124

***This declaration is submitted by***

A handwritten signature in black ink, appearing to read 'Schneider Andreas', is written over a light blue horizontal line.

Dipl.-Ing. Andreas Schneider, General manager,  
28.03.2023

This declaration certifies the agreement with the named standards, contains however no warranty of characteristics.

The security advices of included product documents are to be considered.