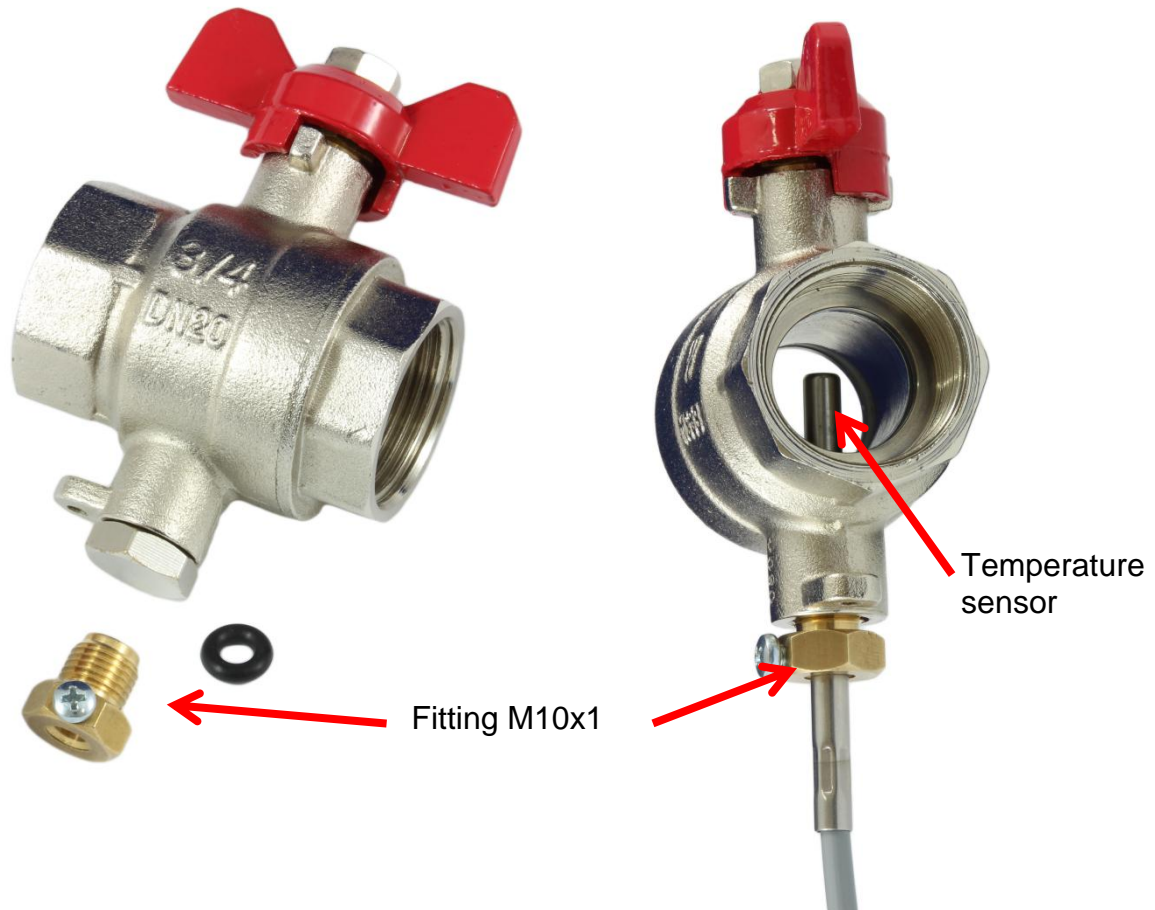




KH ball valve



The KH ball valve has an M10 x 1 fitting opposite the lever for the insertion of a temperature sensor 01/BFPT1000 5x60MM, for purposes such as heat metering.

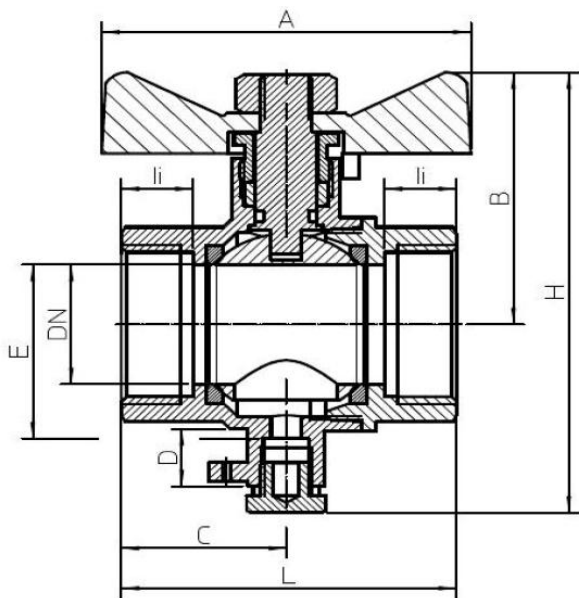
The ball has a hole at this location for the sensor. This places the sensor in the flow channel at the centre of the ball. When the valve is shut off, the sensor is sealed off as well, allowing it to be removed easily (e.g. for calibration).

Technical data

| Materials | |
|-----------------|---|
| Body | MS58 forged brass, nickel-plated |
| Ball | MS58 forged brass, chrome-plated |
| Stem | MS58 forged brass |
| Switching lever | Aluminium butterfly handle, painted red |
| Ball seat seal | PTFE |
| Stem sealing | FKM/FPM O-ring + PTFE with gland |

| | |
|-------------------------------|---|
| Nominal pressure | PN40 for KH-3/4", PN32 for KH-1" subject to operating temperature |
| Permissible temperature range | -20 °C to +150 °C subject to nominal pressure |
| Connection | 2 x internal thread acc. to DIN EN ISO 228-1 |
| Application range | Heating and solar circuits, water (not acc. to DVGW / DIN 1988) |

Dimensions



| | KH-3/4" | KH-1" |
|---------|---------|-------|
| DN | 20 | 25 |
| L [mm] | 54.30 | 65.35 |
| A [mm] | 56.00 | 72.00 |
| B [mm] | 42.00 | 52.80 |
| C [mm] | 27.30 | 32.15 |
| D [mm] | 13.30 | 12.00 |
| E [mm] | 30.80 | 36.40 |
| H [mm] | 78.90 | 92.20 |
| li [mm] | 9.10 | 11.50 |
| AF [mm] | 31 | 38 |

Subject to technical modifications

© 2016