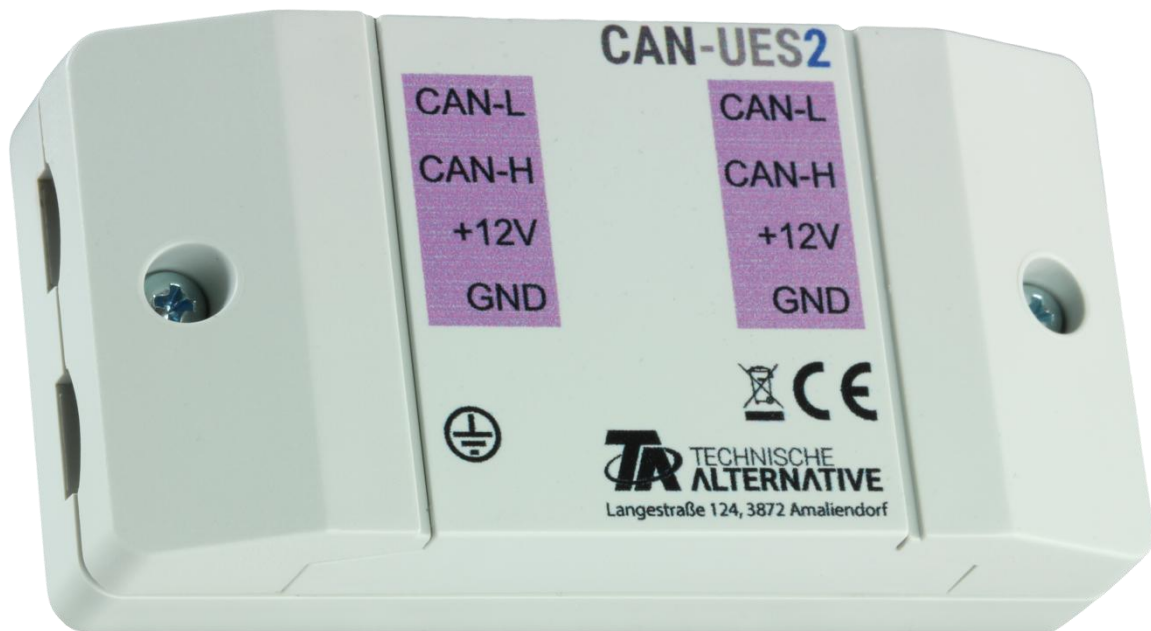




Surge protection for CAN BUS



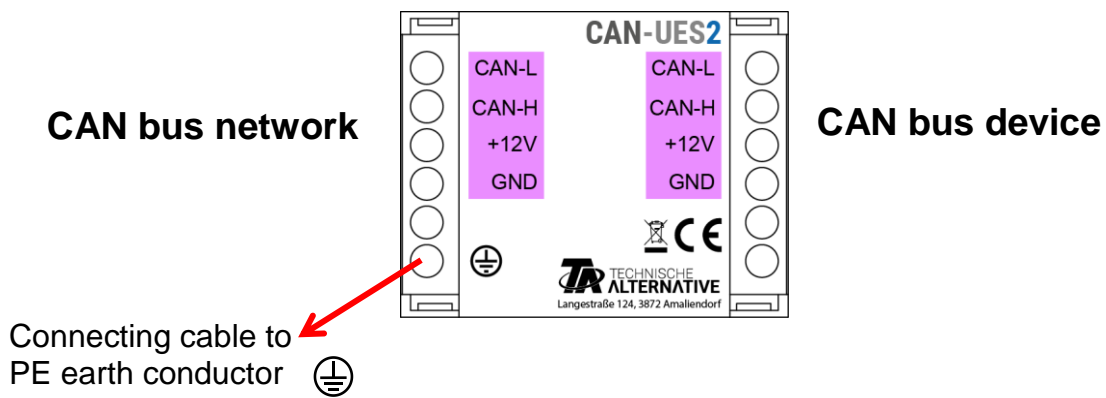
Function

Surge protection for CAN BUS with two protection levels.

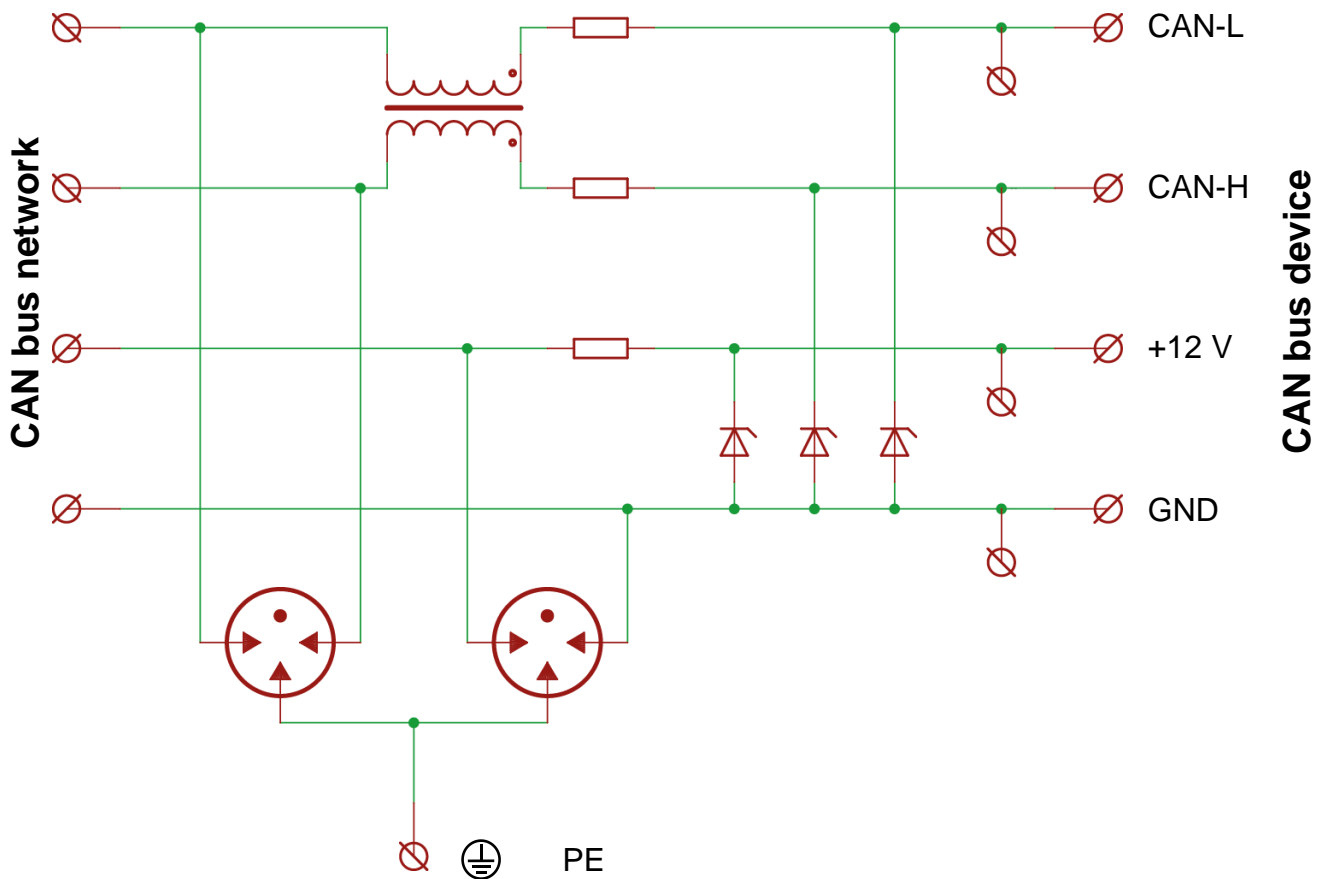
Level 1 = ignition of a gas discharge path against earth conductor at 500 V and rapid reduction of the voltage to 75 V.

Level 2 = limitation of the residual energy with filters and ultra-fast 18 V Transzorb diodes.

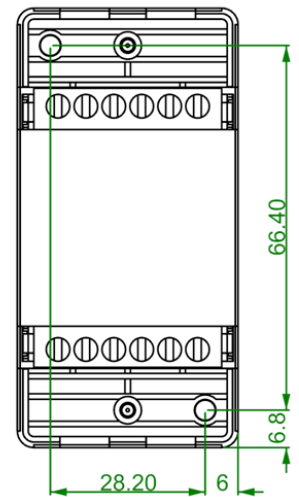
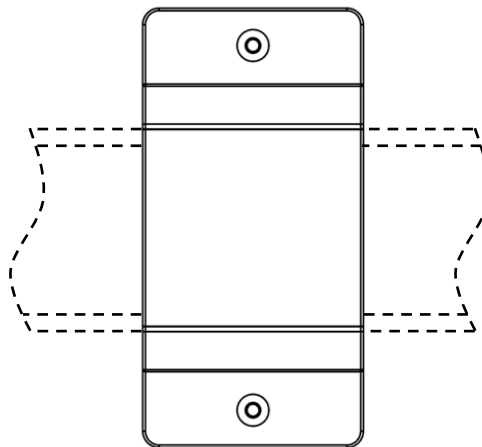
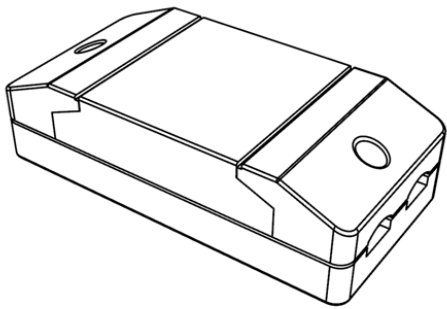
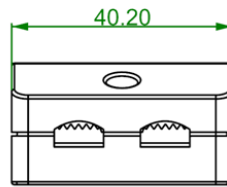
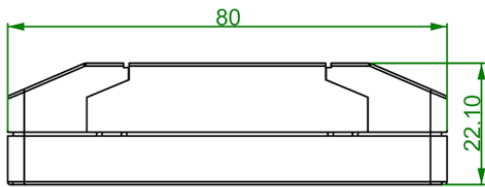
Connection



Wiring diagram



Dimensions in mm



Top-hat rail installation
(support rail TS35 to
standard EN 50022)

Technical data	
IP rating	IP 40
Terminal area	Max. 1.5 mm ²
Max. ambient temperature	45 °C

Subject to technical modifications

© 2017

