

EHS-R

ADJUSTABLE ELECTRIC IMMERSION HEATER



Installation

Table of contents

Safety requirements	4
Maintenance	5
Disposal	5
Function description	6
Programming	6
Wireless control	6
PWM control	6
Installation and connection	7
Dimensioned drawing	7
High limit safety cut-out (HLSC)	8
Sensor installation, PWM input	8
Mains connection	9
Heating elements	9
Wireless system	10
Principles	10
Pairing devices	10
Transmitted values	10
Fault codes	10
Relaying wireless signals	11
Reset/pairing of the	12
LED status indicators	12
Possible LED indicators	13
Technical data	14

Safety requirements



All installation and wiring work on the controller must only be carried out in a zero volt state. The opening, connection and commissioning of the device may only be carried out by competent personnel. While doing so, they must observe all local safety requirements.

This device is state of the art and meets all necessary safety regulations. It may only be used in accordance with the technical data and the safety requirements and regulations listed below. When using the device, also observe the statutory and safety regulations apposite to the particular use. Any other use will automatically void all warranty rights.

- Connection work and other exposure of the PCB in the immersion heater casing should only be carried out in a dry interior room.
- It must be possible to isolate the immersion heater from the mains, in accordance with local regulations, using an omnipolar isolating facility (plug/socket or 2-pole isolator).
- The immersion heater should only be connected to a mains socket using the supplied connecting cable. The connecting cable should be fitted before insertion. The mains socket must have at least 16 A fuse protection.
- No extension cables, mains distributors or cable drums should be used.
- Before starting installation or wiring work on equipment, the immersion heater must be completely isolated from the mains and protected against a restart.
- Never pull on the mains cable, or pull the mains plug out of its socket by the cable.
- Safe operation is no longer possible if the immersion heater, or connected equipment shows signs of visual damage, no longer functions or has been stored for lengthy periods in unfavourable conditions. If this is the case, disable the devices or equipment and secure against unintentional use.
- At the immersion heater, high temperatures occasionally occur during operation, which should be taken into consideration during installation/maintenance work. Also never touch the immersion heater with wet/damp hands. Insulated footwear is recommended for installation work.
- The immersion heater may be active at a high output level for a prolonged period of time. Relevant components (e.g. sockets) must be able to withstand current flows of up to 16 A for prolonged periods.

Maintenance

If treated and used correctly, the device itself will not require any maintenance. However, the use of a suitable **sacrificial anode** in the cylinder is recommended, and if the immersion heater is used more often than usual, it is necessary to check whether the material thickness is reduced (at least 2-3 times per year).

No components relevant to long term accuracy are subject to loading if the device is used correctly. Consequently long term drift is extremely low. The device therefore does not require any maintenance and cannot be adjusted.

The structural characteristics of the device must not be changed during repairs. Spare parts must correspond to the original parts and must be used in accordance with the build version.

Disposal



- Devices no longer in use or beyond a state of repair must be disposed of in an environmentally responsible manner by an authorised collection point. They must never be treated as ordinary household waste.

- We can undertake the environmentally responsible disposal of devices sold by the Technischen Alternative company upon request.

- Packaging material must be disposed of in an environmentally responsible manner.

- Incorrect disposal may result in considerable damage to the environment, as many of the materials used require professional handling.



Function description

The **EHS** immersion heater is available in two versions:

- **EHS-R**: With variable control from 50 W - 3000 W
- **EHS**: Output 0-3000 W in 750 W increments

Combining an **EHS-R** (controllable) with one or multiple **EHS** (not controllable) enables a cascade to be set up in which the **EHS-R** carries out fine adjustment, achieving stepless power regulation.

Both versions can be controlled wirelessly from a **CAN-EZ3** to control their output and exchange data.

Alternatively, the immersion heater has a PWM input to allow direct control of the output (non-wirelessly).

More details on the wireless system can be found in the chapter of the same name.

Programming

The **EHS** itself does not require any programming; its output is defined by other devices. If the immersion heater is used in conjunction with freely programmable controllers, the use of the **Energy manager** and **Output control** functions is recommended (more details in the instructions for the "**Functions**" of the freely programmable controller).

Wireless control

For wireless control, the immersion heater must be paired with the device controlling it. If a **CAN-EZ3A** and an **EHS-R** in the **ATON** set were purchased together, they have already been paired at the factory.

More details on the wireless system can be found in the chapter of the same name.

PWM control

To operate the **EHS-R** without a wireless connection (e.g. in conjunction with controller **UVR16x2**), the immersion heater has a PWM input. 10-90 % PWM corresponds to 0-3000 W output, but operation only starts at min. 45 W (equates to around 12 % PWM).

Important: If an active wireless connection is available (paired and signals being received), the PWM input is **inactive**. If the immersion heater is controlled via the PWM input, the wireless pairing of other devices with the **EHS-R** must be deleted.

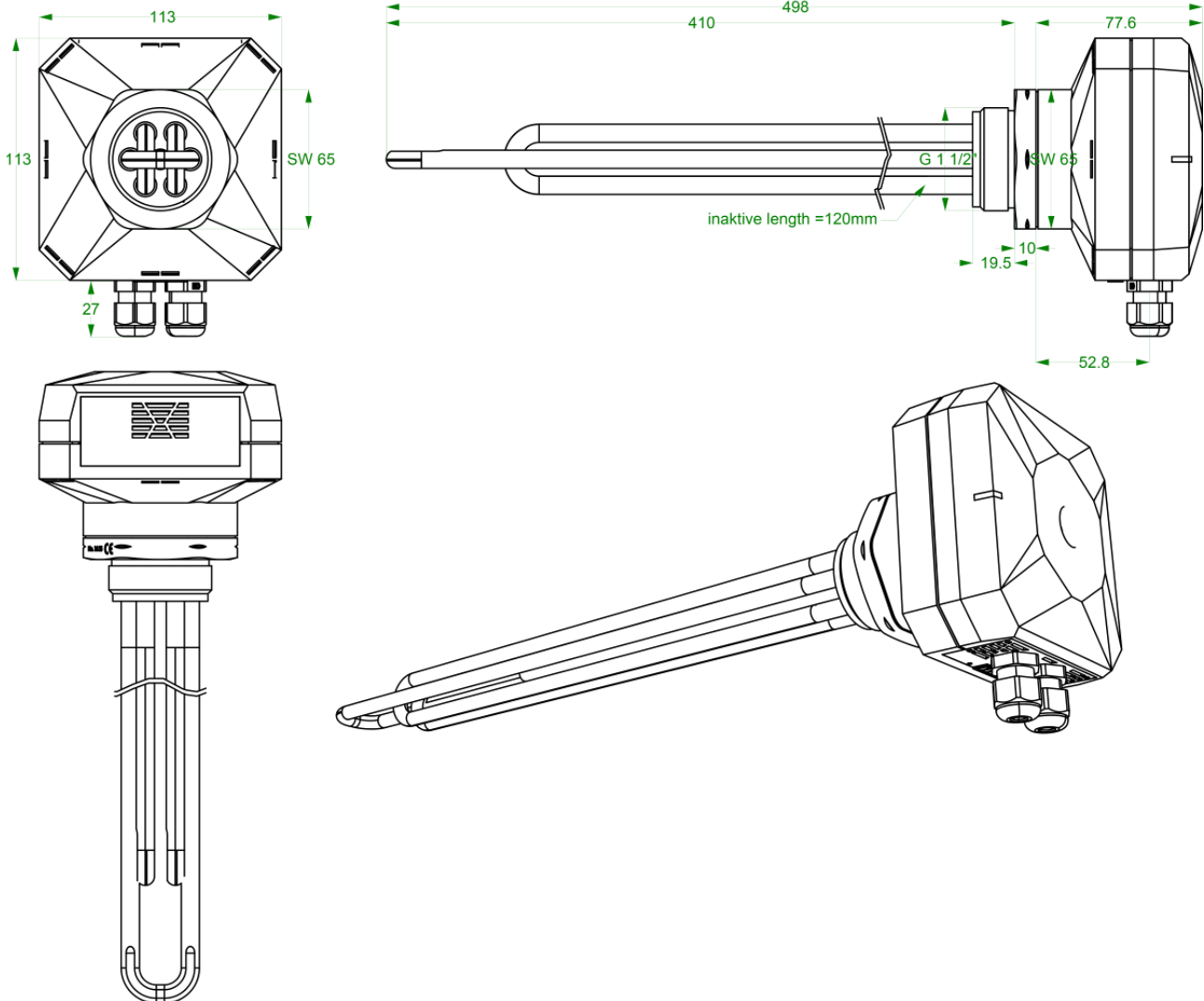
For the PWM input connection graphic, see chapter "**Sensor installation, PWM input**".

Installation and connection



With regard to the material, the immersion heater is suitable for installation in DHW cylinders, but due to the predominant electroplating in the cylinder, less noble metals than those of the immersion heater are damaged. The use of a suitable sacrificial anode in the cylinder and regular checking of the anode (at least 2-3 times per year) is recommended. Otherwise, other inlet points in the cylinder or the coating of the cylinder itself may be damaged.

Dimensioned drawing



inactive length = distance from threaded head, which is not heated (120 mm)

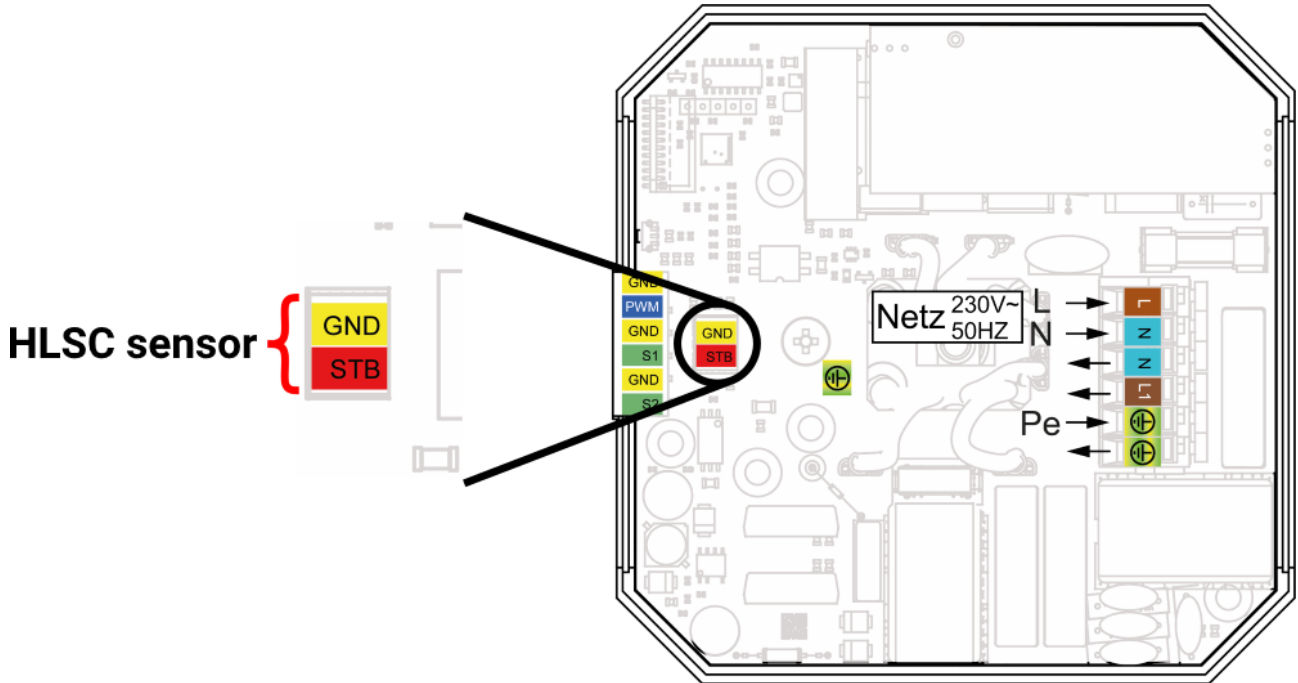
The immersion heater must be installed horizontally in the cylinder.

High limit safety cut-out (HLSC)

The EHS-R has a sensor for the high limit safety cut-out. This is a PT1000 sensor in a sensor well between the heating elements. It is connected at the factory at the connection shown below.

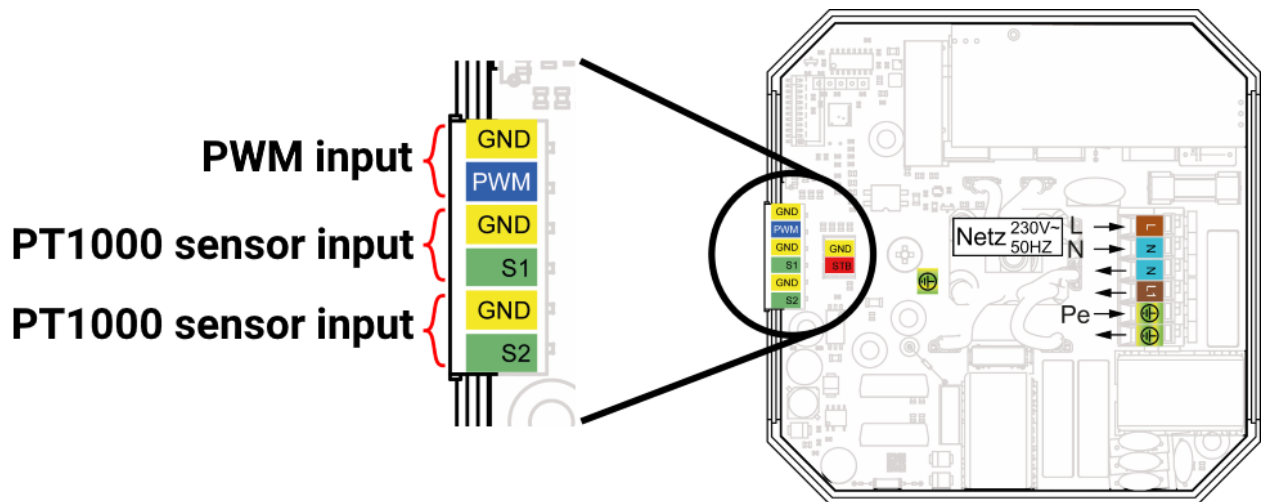
When a temperature of 95 °C is reached at the STB sensor, the immersion heater is deactivated. It can only be reactivated when the temperature falls below a value of 90 °C (= 5 K hysteresis).

The electronics temperature is also monitored. Their maximum temperature is 75 °C (5 K hysteresis).

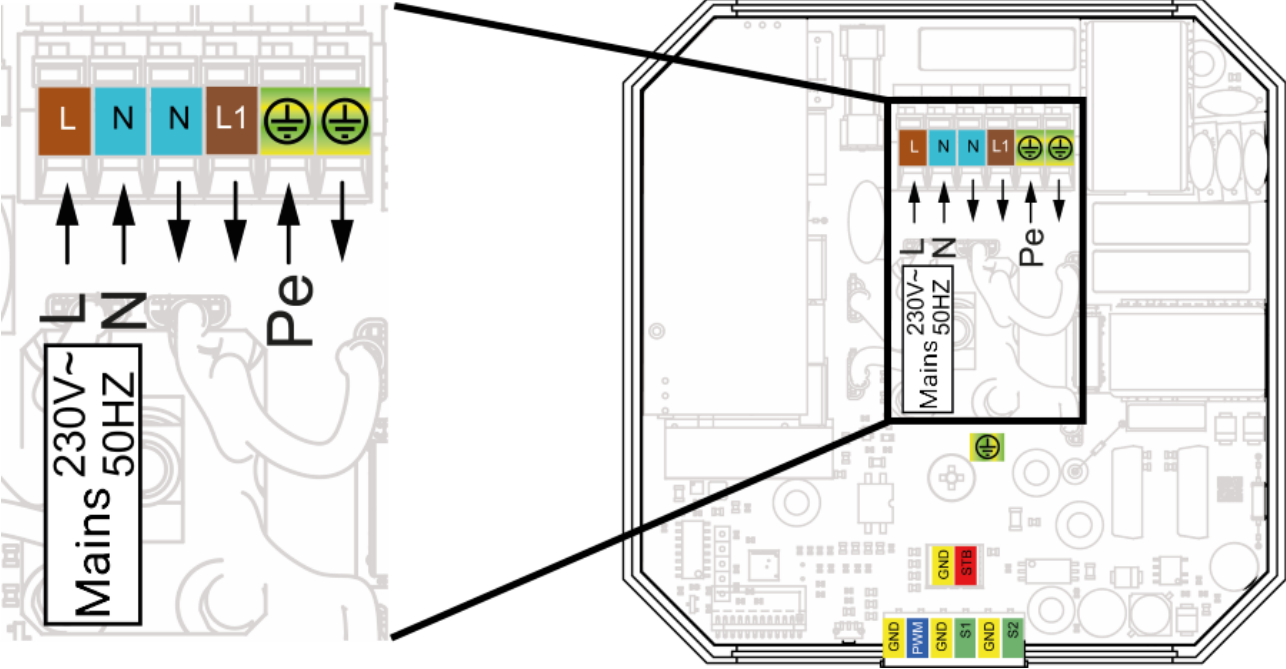


Sensor installation, PWM input

The EHS-R has 2 sensor inputs, which are only suitable for connection of **PT1000 sensors**. The measurements of these sensors are transferred via the CORA wireless connection. This establishes the connection for **PWM control**. More detailed information can be found in the chapter of the same name.



Mains connection



L	Phase
N	Neutral conductor
Pe	Earth conductor

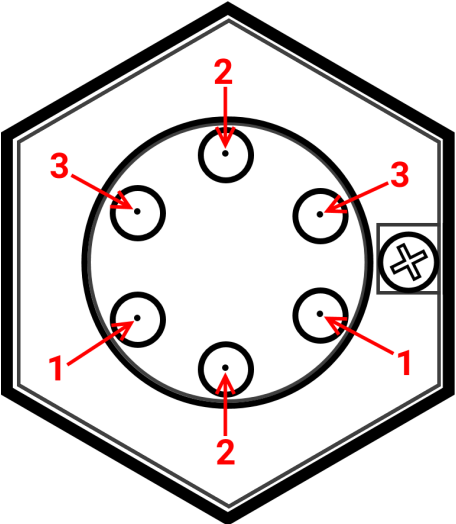
Heating elements

The 3 heating elements are connected at the factory and fully wired. For any installation/maintenance work, ensure correct wiring/connection.

The EHS-R has 3 heating elements:

- 750 W controllable
- 750 W not controllable
- 1500 W not controllable

The connections of the heating elements (as they are routed from the threaded head and through the PCB) must not be interchanged. Using the screw on the edge as a guide, the connections can be identified according to the graphic below.



- 1 750 W not controllable
- 2 1500 W not controllable
- 3 750 W controllable

Wireless system

Principles

The wireless system comprises at least two devices (e.g. CAN-EZ3 and EHS-R), which communicate with one another, exchange data or send firmware/function data.

The wireless range is around 1000 m outdoors, and typically 30 m in buildings (through approx. 2 walls/ceilings, depending on thickness and material). Up to 3 additional wireless-capable devices can be used as a bridge to enable data to be exchanged under deviating conditions.

RCV-DL, GBS-F and RAS-F devices **cannot** be used.

Pairing devices

Two steps are carried out to pair two devices:

1. **Allow** pairing on the **target device**
2. **Initiate** pairing on the **control device**

To allow pairing on the EHS-R (= target device), **double click** on the button on the casing (= 2 click within 2 seconds). Pairing is then allowed for **5 minutes** (see chapter "**Reset / Pairing**").

On the control device, the x2 wireless ID for the EHS-R is required for pairing.

The pairing process on other devices (*control device*) can be found in the corresponding operating instructions.

If a CAN-EZ3A and an EHS-R in the **ATON** set were purchased together, they have already been paired at the factory.

Transmitted values

The following values are transmitted from the EHS-R to the paired device (cannot be changed):

Timeout	Digital value Yes/No (Yes, if wireless connection is lost)
Current output	Output that is currently being consumed by the EHS-R
<i>Higher output level</i>	<i>Only used for internal calculation</i>
<i>Lower output level</i>	
Temperature 1	Temperature at sensor input 1 (PT1000 sensor)
Temperature 2	Temperature at sensor input 2 (PT1000 sensor)
HLSC temperature	Temperature of sensor for high limit safety cut-out
Electronics temperature	Temperature at immersion heater PCB
Fault code	If faulty operation is identified on the EHS-R, the corresponding fault code is transmitted.

Fault codes

If the fault code is on **0**, no fault is present. For every identified fault, the corresponding number is totalled, as explained below.

Fault code	Description
+1	Faulty circuit breaker
+2	Excess temperature at HLSC
+4	Excess temperature at PCB

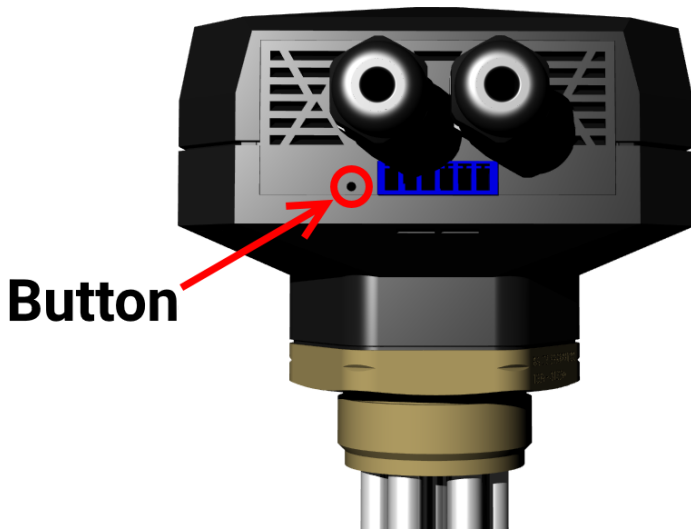
Relaying wireless signals

Wireless-capable devices can relay signals of other devices. All required settings for this are carried out at the device, which transmits the signal to be relayed. The EHS-R can be used to relay wireless signals.

If the EHS-R immersion heater receives signals via a relay, it automatically returns data via the same relay. No settings are therefore required for the relay on the EHS-R.

Reset/pairing of the

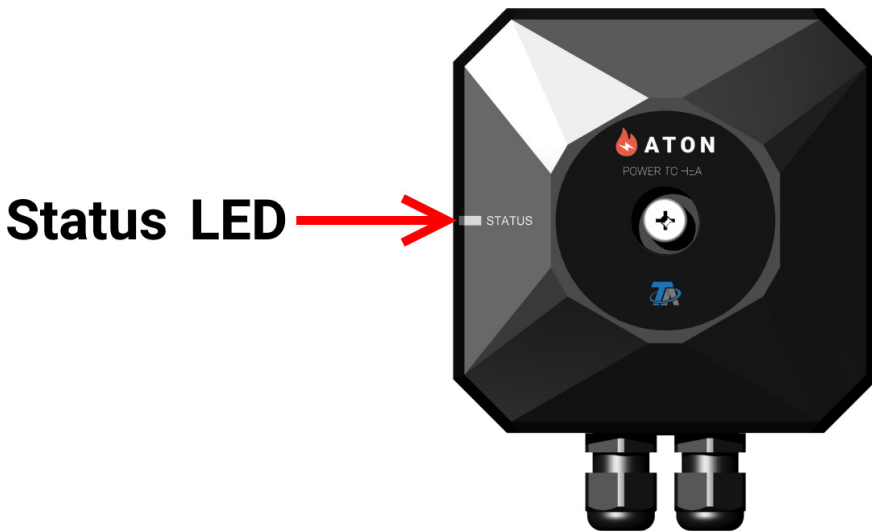
The button is pressed using a narrow-tip pen.



Button

Double click (two clicks within 2 seconds)	Allow pairing for 5 minutes (see chapter "Wireless system") The LED flashes green rapidly for 3 seconds to confirm.
10-second click	Total reset (hold until the LED shows a green light for 1 second)
Click once	Reset (software restart)

LED status indicators



Status LED

Possible LED indicators

Control indicator	Explanation
Green, steady light	Set output 0 W is preset wirelessly
Green, slow flashing	Set output > 0 W is preset wirelessly
Green, quick flashing	Set output > 0 W is preset via PWM input
	If the LED flashes rapidly for only 3 seconds, pairing has been permitted via the pushbutton.
Orange/red alternate, slow flashing	Faulty circuit breaker
Orange, steady light	No wireless signal received for at least 2 minutes and no PWM signal received
Orange, slow flashing	Immersion heater excess temperature (> 95 °C)
Orange, quick flashing	Casing/PCB excess temperature (>75 °C)
Red, steady light	Internal fault
Red, slow flashing	Wireless chip error
Red, quick flashing	EEPROM error

Technical data

Power consumption	max. 3000W (depending on specified set output)
Nominal voltage	230V, 50 Hz
Surface heat output	< 10 W/cm ²
Cold zone	120mm (± 10mm)
Screw	G 1 ½" SW 65
Fuse	6,3A fast (only for adjustable heating element and electronics)
Wire size	3 x 1,5 mm ²
Dimensions	see „ <i>Dimensioned drawing</i> “
PWM-input	max. 10V
Sensor inputs	PT1000

Subject to technical modifications as well as typographical and printing errors. This manual is only valid for devices with the corresponding firmware version. Our products are subject to constant technical advancement and further development. We therefore reserve the right to make changes without prior notice.

© 2019

EU Declaration of conformity

Document-Nr. / Date: TA19002, 19/07/2019
Company/Manufacturer: Technische Alternative RT GmbH
Address: A-3872 Amaliendorf, Langestraße 124

This declaration of conformity is issued under the sole responsibility of the manufacturer

Product name: EHS, EHS-R
Product brand: Technische Alternative RT GmbH
Product description: Electronic immersion heater

The object of the declaration described above is in conformity with Directives:

2014/35/EU Low voltage standard
2014/30/EU Electromagnetic compatibility
2011/65/EU RoHS Restriction of the use of certain hazardous substances

Employed standards:

EN 60730-1: 2011	Automatic electrical controls for household and similar use – Part 1: General requirements
EN 61000-6-3: 2007 +A1: 2011 + AC2012	Electromagnetic compatibility (EMC) - Part 6-3: Generic standards - Emission standard for residential, commercial and light-industrial environments
EN 61000-6-2: 2005 + AC2005	Electromagnetic compatibility (EMC) - Part 6-2: Generic standards - Immunity for industrial environments
EN 50581: 2012	Technical documentation for the assessment of electrical and electronic products with respect to the restriction of hazardous substances

Position of CE - label: On packaging, manual and type label



Issuer: Technische Alternative RT GmbH
A-3872 Amaliendorf, Langestraße 124

This declaration is submitted by

A handwritten signature in black ink, appearing to read 'Schneider Andreas'. The signature is written in a cursive, flowing style.

Dipl.-Ing. Andreas Schneider, General manager,
19/07/2019

This declaration certifies the agreement with the named standards, contains however no warranty of characteristics.

The security advices of included product documents are to be considered.

Warranty conditions

Note: The following guarantee conditions do not limit the legal right to a warranty, but rather expand your rights as a consumer.

1. Technische Alternative RT GmbH provides a one year warranty from the date of purchase for all the devices and parts which it sells. Defects must be reported immediately upon detection and within the guarantee period. Technical support can supply the correct solution for almost every known problem. In this respect, contacting us immediately will help to avoid unnecessary expense and effort in troubleshooting.
2. The guarantee includes free repair (but not the cost of on-site fault finding, removal, refitting and shipping) due to operational and material defects which impair operation. In the event that a repair is not economical in the opinion of Technische Alternative for reasons of cost, the goods will be replaced.
3. Not included is damage resulting from the effects of a voltage surge or abnormal ambient conditions. Likewise, no liability can be accepted if the device defect is due to: transport damage for which we are not responsible, incorrect assembly and installation, incorrect use, failure to observe the operating and installation instructions or incorrect maintenance.
4. The guarantee will become void if repairs or actions are carried out by people who are not authorised to perform them or have not been so authorised by us or if our devices are operated with spare parts, auxiliary parts or accessories that are not considered to be original parts.
5. The defective parts must be returned to our factory with a copy of the proof of purchase and a precise fault description. Processing is accelerated if an RMA number is requested via our homepage www.ta.co.at. The defect must be clarified with our technical support beforehand
6. Services provided under guarantee result neither in an extension of the guarantee period nor in a commencement of a new guarantee period. The guarantee period for fitted parts ends with the guarantee period of the whole device.
7. Further or other claims, especially those for compensation for damage other than to the device itself, insofar as a liability is not legally required, are excluded.

Legal notice

These installation instructions are protected by copyright.

Use outside the copyright requires the consent of Technische Alternative RT GmbH. This applies in particular to reproductions, translations and electronic media.

Technische Alternative RT GmbH

A-3872 Amaliendorf, Langestraße 124

Tel.: +43 (0)2862 53635

Fax +43 (0)2862 53635 7

E-Mail: mail@ta.co.at

--- www.ta.co.at ---



©2019