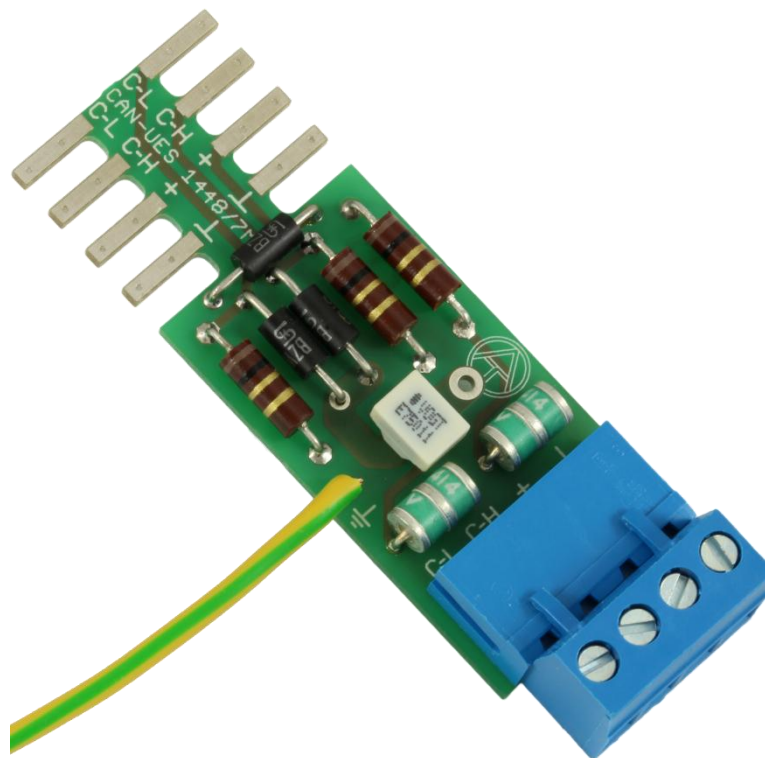




CAN-UES

Surge protection for CAN BUS



Function

Surge protection for CAN BUS with two protection levels.

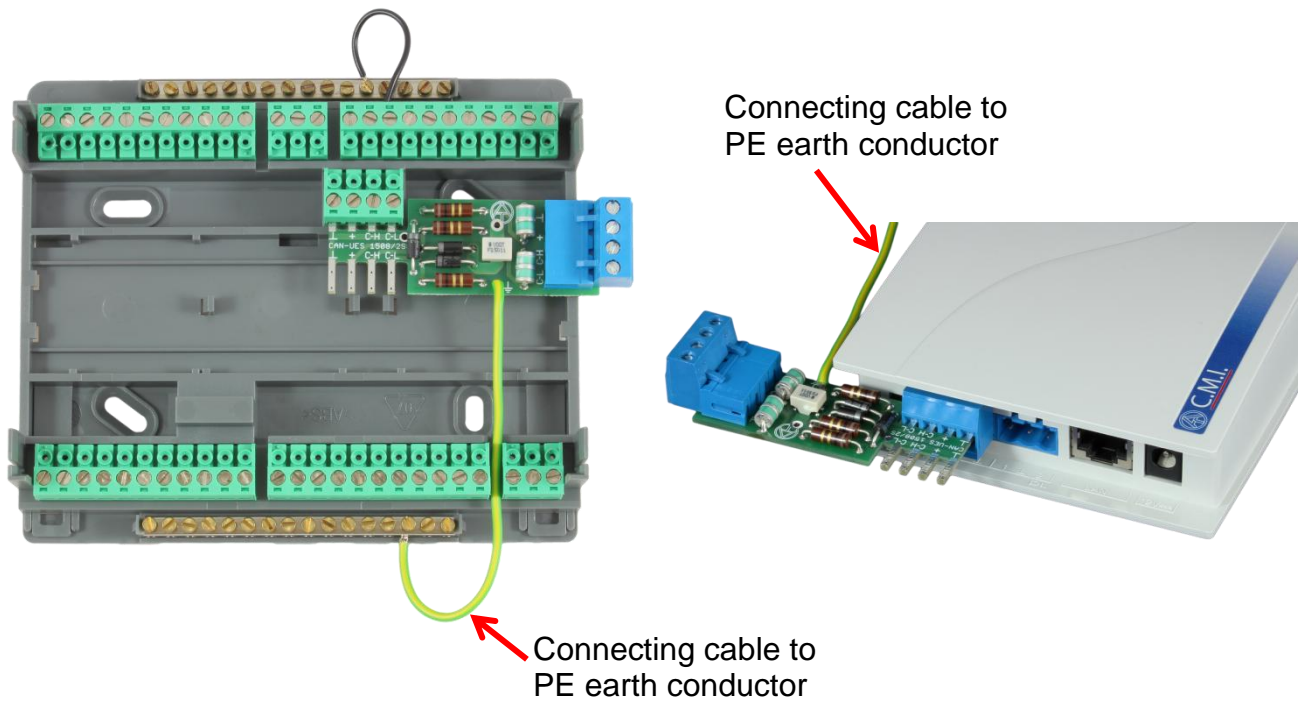
Particularly suitable for direct installation in the **UVR16x2** mounting base, although it can also generally be used at any other CAN node.

Level 1 = ignition of a gas discharge path against earth conductor at 500 V and rapid reduction of the voltage to 75 V.

Level 2 = limitation of the residual energy with filters and ultra-fast 18 V Transzorb diodes.

Installation in terminal mounting plate of the UVR16x2 controller

Connection to C.M.I.



Wiring diagram

